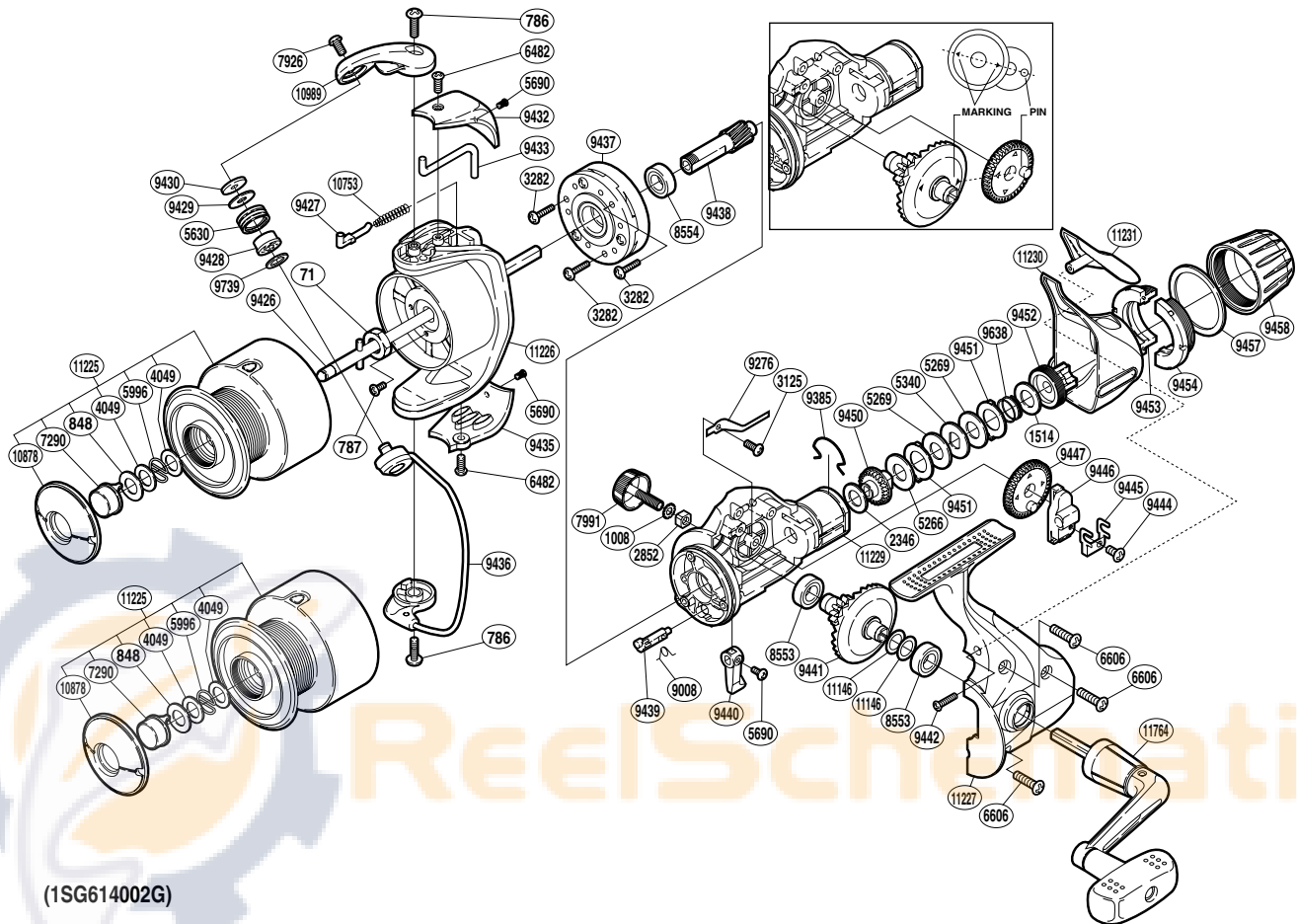


SHIMANO

NEXAVE

NEX-4000RB



(1SG614002G)

Part No.	Description	Part No.	Description	Part No.	Description
RD 0071	Rotor Nut	RD 8553	Ball Bearing	RD 9446	Oscillating Slider
RD 0786	Screw	RD 8554	Ball Bearing	RD 9447	Oscillating Gear
RD 0787	Screw	RD 9008	Anti-Reverse Cam Spring	RD 9450	Drag Shaft
RD 0848	Washer	RD 9276	Drag Click	RD 9451	Eared Washer
RD 1008	Handle Lock Washer	RD 9385	Hold Click Spring	RD 9452	Pressure Screw
RD 1514	Washer	RD 9426	Main Shaft	RD 9453	Drag Programmer B1
RD 2346	Drag Washer	RD 9427	Bail Spring Guide	RD 9454	Drag Programmer B2
RD 2852	Handle Screw Lock	RD 9428	Line Roller Bushing	RD 9457	Drag Programmer B Ring
RD 3125	Screw	RD 9429	Line Roller Spacer	RD 9458	Drag Programmer A
RD 3282	Screw	RD 9430	Line Roller Washer	RD 9638	Drag Coil Spring
RD 4049	Washer	RD 9432	Bail Spring Cover	RD 9739	Bearing Spacer
RD 5266	Drag Washer	RD 9433	Bail Trip Lever	RD10753	Bail Spring
RD 5269	Drag Washer	RD 9435	Bail Hold Support Guard	RD10878	Push Button Collar
RD 5340	Key Washer	RD 9436	Bail Assembly	RD10989	Bail Arm
RD 5630	Line Roller	RD 9437	Roller Clutch Assembly	RD11146	Washer
RD 5690	Screw	RD 9438	Pinion Gear	RD11225	Spool Assembly
RD 5996	Locking Spring	RD 9439	Anti-Reverse Cam	RD11226	Rotor
RD 6482	Screw	RD 9440	Anti-Reverse Lever	RD11227	Side Cover
RD 6606	Screw	RD 9441	Drive Gear	RD11229	Body
RD 7290	Push Button	RD 9442	Screw	RD11230	Rear Protector B
RD 7926	Screw	RD 9444	Slider Retainer Screw	RD11231	Rear Protector A
RD 7991	Handle Screw Cap	RD 9445	Oscillating Slider Retainer	RD11764	Handle Assembly